

- Low Profile
- DCR: 1.4Ω Max
- Cw/w: 15PF TYP @ 100KHz, 200mV
- LL: 0.5uH Max @ 100KHz, 200V
- Polarity: 1-16, 6-11, In-Phase
- Operating Temp: 0°C to +70°C

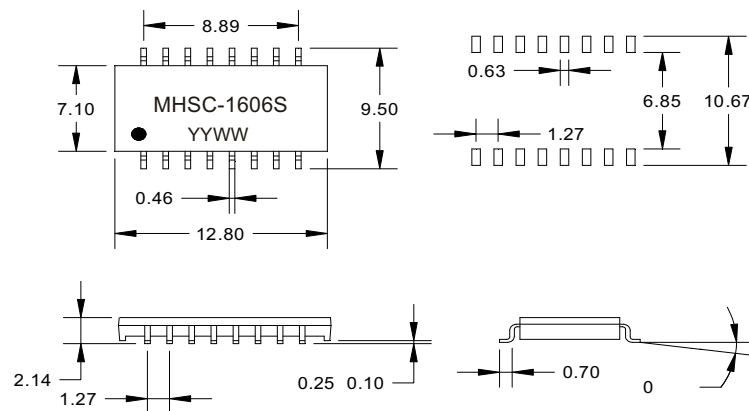
### Electrical Specifications @25°C

Part Number	OCL(μH Min) @ 100kHz, 200mV With 8mA DC Bias	Turns Ratio chip: cable (±3%)	Insertion Loss (dB Max)	Return Loss (dB Min)			
	0.30-100MHz			0.3-30MHz	40MHz	50MHz	60-80MHz
MHSC-1606S	350	1CT:1CT(TX)/1CT:1CT(RX)	-1.1	-18	-15.5	-13.5	-10

### Electrical Specifications @25°C

Part Number	Common Mode Rejection (dB Min)		Cross Talk (dB Min)	Isolation HI-POT (Vrms)
	0.30-60MHz	60-100MHz		
MHSC-1606S	-33	-26	-30	1500

### MECHANICAL



Dimensions: mm  
Unless otherwise specified, all tolerances are ±0.25

### SCHEMATICS

