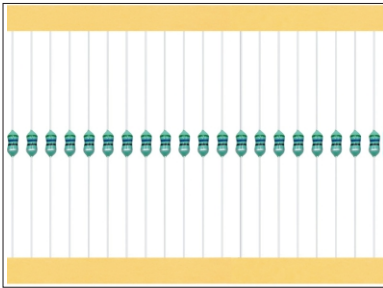


LGA Through-Hole Axial Conformal Coated Inductors **Meisongbei**



Features

- Low cost and high reliability.
- Small and light-weight
- wide range of inductance

Applications

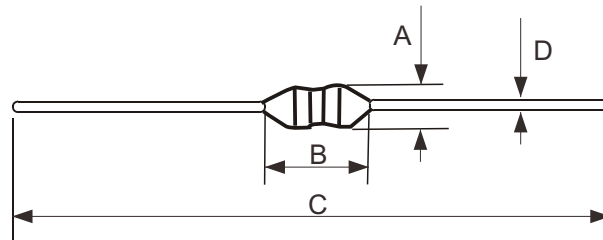
- Televisions, personal computers
- Radios, telephones.
- Others various electronic products

General Specifications

- Storage temp range: -25°C to +85°C
- Operating temp range: -25°C to +85°C



► Shape and Dimensions (Unit:mm)



Type	A(max)	B(max)	C±2	D±0.1
LGA0307	3.0	7.0	62.0	0.5
LGA0410	4.0	10.5	62.0	0.6
LGA0510	5.0	10.5	62.0	0.6
LGA0512	5.0	12.0	62.0	0.6

- Inductance tolerance: M:±20%, K: ±10%
- I_{dc}: The DC current at which the inductance decrease 10% of its initial value without current or when $\Delta t = 40^\circ\text{C}$, whichever is lower (T_a=25°C)

LGA Through-Hole Axial Conformal Coated Inductors **Meisongbei**

▶ Electrical Characteristics For LGA0307 Series

Part Number	Inductance [uH]	Q	S.R.F [MHz]	DCR(max) [Ω]	IDC [mA]	Test Freq [MHz]
LGA0307-R22M	0.22	35	150	0.40	400	25.2
LGA0307-R27M	0.27	35	150	0.43	380	25.2
LGA0307-R33M	0.33	35	150	0.48	370	25.2
LGA0307-R39M	0.39	35	150	0.51	350	25.2
LGA0307-R47M	0.47	35	150	0.56	330	25.2
LGA0307-R56M	0.56	40	150	0.61	320	25.2
LGA0307-R68M	0.68	40	150	0.67	310	25.2
LGA0307-R82M	0.82	40	150	0.74	290	25.2
LGA0307-1R0K	1.00	40	150	0.80	270	25.2
LGA0307-1R2K	1.20	50	144	0.90	260	7.96
LGA0307-1R5K	1.50	50	131	1.0	250	7.96
LGA0307-1R8K	1.80	50	121	1.1	240	7.96
LGA0307-2R2K	2.20	50	110	1.2	230	7.96
LGA0307-2R7K	2.70	50	100	1.3	220	7.96
LGA0307-3R3K	3.30	50	94	1.4	210	7.96
LGA0307-3R9K	3.90	50	65	1.6	200	7.96
LGA0307-4R7K	4.70	50	56	1.7	190	7.96
LGA0307-5R6K	5.60	50	48	1.9	180	7.96
LGA0307-6R8K	6.80	50	37	2.0	175	7.96
LGA0307-8R2K	8.20	50	25	2.2	165	7.96
LGA0307-100K	10.0	50	21	2.5	160	7.96
LGA0307-120K	12.0	50	19	2.5	150	2.52
LGA0307-150K	15.0	50	17	2.8	145	2.52
LGA0307-180K	18.0	50	13	3.1	140	2.52
LGA0307-220K	22.0	50	9.6	3.4	130	2.52
LGA0307-270K	27.0	50	7.2	3.8	125	2.52
LGA0307-330K	33.0	50	6.3	4.1	120	2.52
LGA0307-390K	39.0	50	6.3	4.5	115	2.52
LGA0307-470K	47.0	50	6.3	4.9	110	2.52
LGA0307-560K	56.0	50	6.2	5.3	105	2.52
LGA0307-680K	68.0	50	5.7	5.8	100	2.52
LGA0307-820K	82.0	50	5.3	6.3	95	2.52
LGA0307-101K	100	50	4.8	7.0	90	2.52
LGA0307-121K	120	50	3.8	13	90	0.796
LGA0307-151K	150	50	3.5	15	85	0.796
LGA0307-181K	180	50	3.3	16	80	0.796
LGA0307-221K	220	50	3.0	17	75	0.796
LGA0307-271K	270	50	2.8	19	65	0.796
LGA0307-331K	330	50	2.6	20	60	0.796
LGA0307-391K	390	50	2.4	22	55	0.796
LGA0307-471K	470	50	2.25	24	55	0.796
LGA0307-561K	560	50	2.10	26	50	0.796
LGA0307-681K	680	50	1.95	28	45	0.796
LGA0307-821K	820	50	1.85	30	40	0.796
LGA0307-102K	1000	50	1.40	33	40	0.796

▶ Electrical Characteristics For LGA0410 Series

Part Number	Inductance [uH]	Q	S.R.F [MHz]	DCR(max) [Ω]	IDC [mA]	Test Freq [MHz]
LGA0410-R22M	0.22	45	300	0.10	1400	25.2
LGA0410-R27M	0.27	45	270	0.11	1320	25.2
LGA0410-R33M	0.33	45	250	0.12	1280	25.2
LGA0410-R39M	0.39	45	230	0.13	1200	25.2
LGA0410-R47M	0.47	45	220	0.14	1150	25.2
LGA0410-R56M	0.56	45	200	0.15	1100	25.2
LGA0410-R68M	0.68	45	190	0.16	1030	25.2
LGA0410-R82M	0.82	45	172	0.17	980	25.2
LGA0410-1R0K	1.00	45	157	0.19	920	25.2
LGA0410-1R2K	1.20	50	144	0.21	880	7.96
LGA0410-1R5K	1.50	50	131	0.23	830	7.96
LGA0410-1R8K	1.80	55	121	0.25	790	7.96
LGA0410-2R2K	2.20	55	110	0.28	750	7.96
LGA0410-2R7K	2.70	60	100	0.30	720	7.96
LGA0410-3R3K	3.30	65	94	0.34	670	7.96
LGA0410-3R9K	3.90	65	55	0.37	640	7.96
LGA0410-4R7K	4.70	70	56	0.39	620	7.96
LGA0410-5R6K	5.60	70	48	0.43	590	7.96
LGA0410-6R8K	6.80	75	37	0.48	550	7.96
LGA0410-8R2K	8.20	80	25	0.52	530	7.96
LGA0410-100K	10.0	65	21	0.58	500	7.96
LGA0410-120K	12.0	50	19	1.63	480	2.52
LGA0410-150K	15.0	50	17	0.72	460	2.52
LGA0410-180K	18.0	50	13	0.77	430	2.52
LGA0410-220K	22.0	50	9.6	0.84	410	2.52
LGA0410-270K	27.0	55	7.2	0.94	390	2.52
LGA0410-330K	33.0	55	6.6	1.03	370	2.52
LGA0410-390K	39.0	50	6.6	1.12	350	2.52
LGA0410-470K	47.0	45	6.3	1.22	340	2.52
LGA0410-560K	56.0	40	6.2	1.34	320	2.52
LGA0410-680K	68.0	40	5.7	1.47	305	2.52
LGA0410-820K	82.0	35	5.3	1.62	290	2.52
LGA0410-101K	100	30	4.8	1.80	275	2.52
LGA0410-121K	120	55	3.8	3.70	185	0.796
LGA0410-151K	150	45	3.5	4.20	175	0.796
LGA0410-181K	180	50	3.3	4.60	165	0.796
LGA0410-221K	220	55	3.0	5.10	155	0.796
LGA0410-271K	270	65	2.8	5.80	145	0.796
LGA0410-331K	330	65	2.6	6.40	137	0.796
LGA0410-391K	390	65	2.4	7.00	133	0.796
LGA0410-471K	470	60	2.25	7.70	126	0.796
LGA0410-561K	560	60	2.10	8.50	120	0.796
LGA0410-681K	680	55	1.95	9.40	113	0.796
LGA0410-821K	820	55	1.85	10.50	105	0.796
LGA0410-102K	1000	50	1.40	14.00	100	0.796

LGA Through-Hole Axial Conformal Coated Inductors **Meisongbei**

► Electrical Characteristics For LGA0510 Series

Part Number	Inductance [uH]	Q	S.R.F [MHz]	DCR(max) [Ω]	IDC [mA]	Test Freq [MHz]
LGA0510-471K	470	60	1.9	7.70	126	0.796
LGA0510-561K	560	50	1.8	8.50	120	0.796
LGA0510-681K	680	55	1.5	9.00	113	0.796
LGA0510-821K	820	45	1.2	10.5	105	0.796
LGA0510-102K	1000	45	1.0	14.0	100	0.796
LGA0510-122K	1200	40	0.95	16.9	95	0.252
LGA0510-152K	1500	40	0.90	21.6	90	0.252
LGA0510-182K	1800	40	0.85	24.0	85	0.252
LGA0510-222K	2200	40	0.80	34.7	80	0.252
LGA0510-272K	2700	40	0.75	40.0	75	0.252
LGA0510-332K	3300	40	0.70	59.5	62	0.252
LGA0510-392K	3900	40	0.65	66.0	59	0.252
LGA0510-472K	4700	40	0.60	74.0	55	0.252
LGA0510-562K	5600	30	0.50	80.0	40	0.252
LGA0510-682K	6800	30	0.45	85.0	35	0.252
LGA0510-822K	8200	30	0.40	95.0	30	0.252
LGA0510-103K	10000	20	0.35	105.0	25	0.252

LGA Through-Hole Axial Conformal Coated Inductors **Meisongbei**

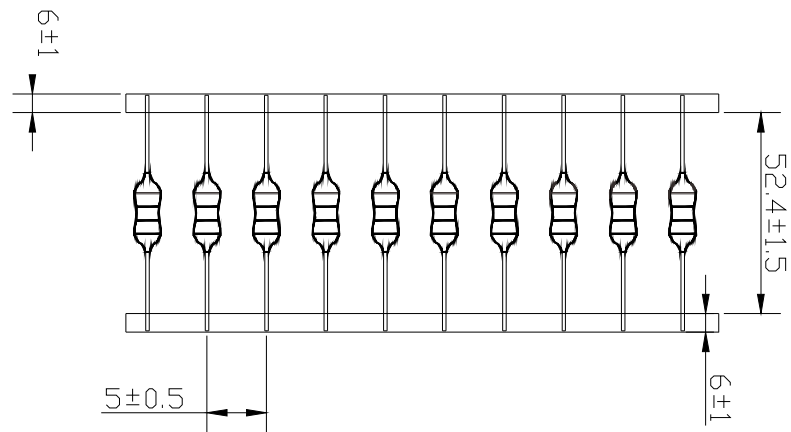
▶ Electrical Characteristics For LGA0512 Series

Part Number	Inductance [uH]	Q	S.R.F [MHz]	DCR(max) [Ω]	IDC [mA]	Test Freq [Hz]
LGA0512-220K	22	30	8	0.4	550	2.52M
LGA0512-101K	100	10	3.5	0.5	300	2.52M
LGA0512-221K	220	10	2.6	2.1	160	0.796M
LGA0512-331K	330	30	2.2	2.5	130	0.796M
LGA0512-391K	390	30	2	2.8	125	0.796M
LGA0512-471K	470	30	1.9	3.0	120	1k/0.796M
LGA0512-561K	560	30	1.8	4.5	115	0.796M
LGA0512-681K	680	30	1.5	4.6	110	0.796M
LGA0512-821K	820	30	1.2	5.0	105	0.796M
LGA0512-102K	1000	50	1	5.0	100	1k/0.252M
LGA0512-122K	1200	60	0.95	14.5	90	0.252M
LGA0512-152K	1500	60	0.9	16.5	85	0.252M
LGA0512-182K	1800	60	0.9	19.0	80	0.252M
LGA0512-222K	2200	60	0.8	27.5	70	1k/0.252M
LGA0512-272K	2700	60	0.75	40	65	0.252M
LGA0512-332K	3300	50	0.7	50	60	0.252M
LGA0512-392K	3900	50	0.65	53	55	0.252M
LGA0512-472K	4700	50	0.6	60	50	0.252M
LGA0512-562K	5600	50	0.5	64	45	1k/0.252M
LGA0512-682K	6800	40	0.45	73	40	0.252M
LGA0512-822K	8200	30	0.4	80	30	0.252M
LGA0512-103K	10000	30	0.35	132	25	79.6k

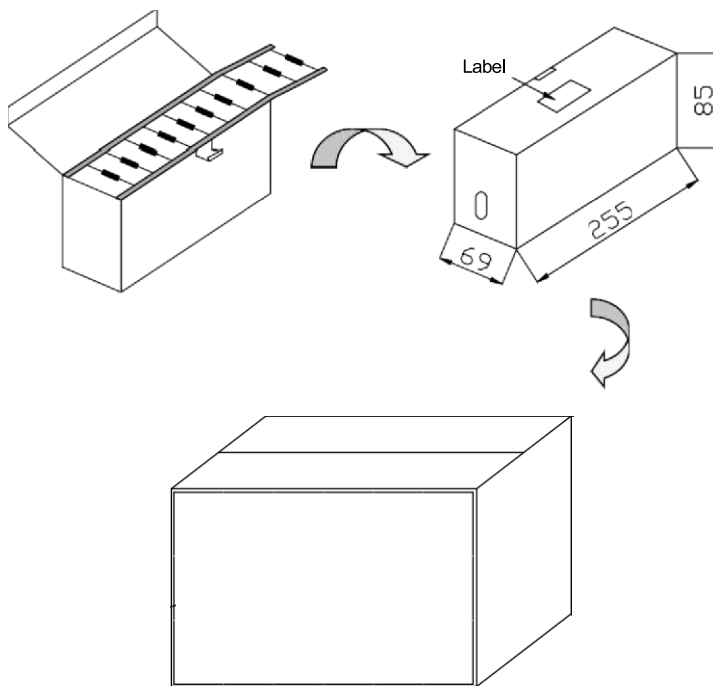
LGA Through-Hole Axial Conformal Coated Inductors **Meisongbei**

► Package Information:

1. Specification of Tape (52)



2. Ammunition Pack (Package Defaults)



Type	Quantity(Pcs)	
	Box	Carton
LGA0307	3,000	30,000
LGA0410	2,000	20,000
LGA0510	1,000	10,000
LGA0512	1,000	10,000