



Features

- Very compact design
- Flammability corresponding to UL94V-0
- Custom designs are available

Applications

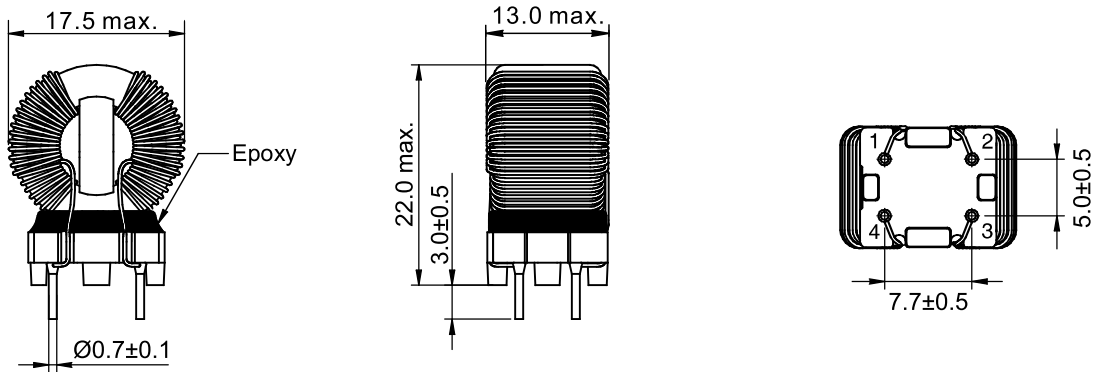
- Power electronics
- Power line in and output filter
- Suppression of common mode noise

General Specifications

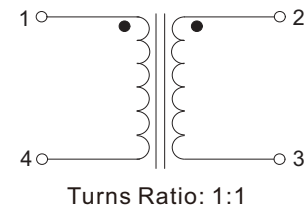
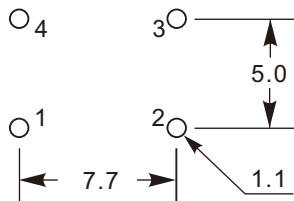
- Storage temp range: -40°C to +125°C
- Operating temp range: -40°C to +125°C
- Moisture Sensitivity Level(MSL): 1



► Dimensions & Configurations (Unit:mm)



► Recommended Hole Pattern:[mm] ► Schematic



► Electrical Specifications @ 25°C

Part Number	Inductance [mH]	Rated Current [A]	DCR(max) [mΩ]
CTR1409-102N	1.0±30%	3.0	35
CTR1409-222N	2.2±30%	2.0	70
CTR1409-332N	3.3±30%	1.5	120
CTR1409-103N	10.0±30%	1.0	360
CTR1409-203N	20.0±30%	0.5	540

- Inductance is per winding tested at 10kHz,0.1V
- Hi-pot:AC1500V/1mA/2S (N1-N2)
- Rated Voltage: 250VAC max