

Features

- Very compact design
- Flammability corresponding to UL94V-0
- Custom designs are available

Applications

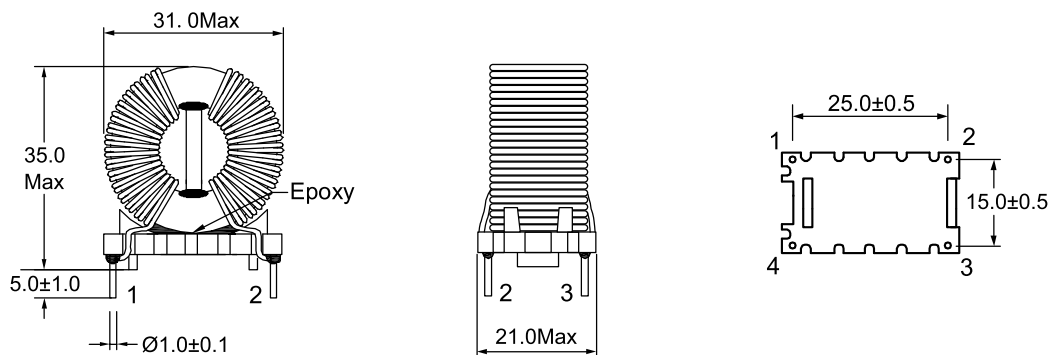
- Power electronics
- Power line in and output filter
- Suppression of common mode noise

General Specifications

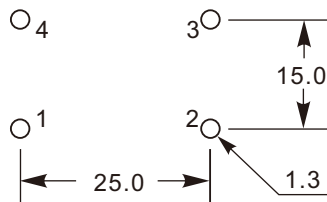
- Storage temp range: -40°C to +125°C
- Operating temp range: -40°C to +125°C
- Moisture Sensitivity Level(MSL): 1



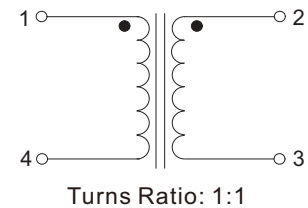
► Dimensions & Configurations (Unit:mm)



► Recommended Hole Pattern:[mm]



► Schematic



► Electrical Specifications @ 25°C

Part Number	Inductance [mH]	Rated Current [A]	DCR(max) [mΩ]
CTR2620-102N	1.0±30%	12.0	9
CTR2620-222N	2.2±30%	8.0	14
CTR2620-332N	3.3±30%	6.0	25
CTR2620-502N	5.0±30%	6.0	45
CTR2620-103N	10.0±30%	4.5	70
CTR2620-203N	20.0±30%	3.0	160
CTR2620-333N	33.0±30%	3.0	210

- Inductance is per winding tested at 10kHz,0.1V
- Hi-pot:AC1500V/1mA/2S (N1-N2)
- Rated Voltage: 250VAC max