



Features

- Very high current capacity
- Epoxy coated ferrite bobbin core
- Fixed lead spacing

Applications

- Electronic appliance
- Power supplies
- TRIAC/SCR Control Circuits

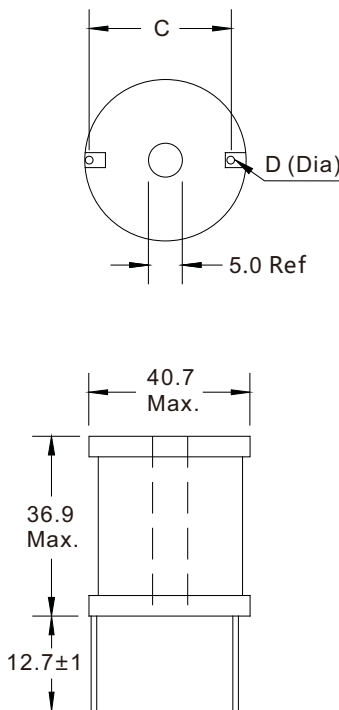
General Specifications

- Storage temp range: -55°C to +105°C
- Operating temp range: -40°C to +105°C
- Moisture Sensitivity Level(MSL): 1



▶ Dimensions and Electrical Characteristics

Unit: [mm]



- Inductance tested at 1kHz, 0.25V
- Rated current: cause 50°C temp rise and 10% max inductance drop
- Hi-pot: 2500Vrms terminal to tube
1000Vrms terminal to core

Part Number	Inductance [uH]	DCR (max) [Ω]	Rated Current [A]	Dim. C Approx.	Dim. D Nom.
MIRD05-1R8M	1.8 ±20%	0.002	35.0	28.19	2.60
MIRD05-2R2M	2.2 ±20%	0.002	35.0	28.19	2.60
MIRD05-2R7M	2.7 ±20%	0.002	35.0	28.19	2.60
MIRD05-3R3M	3.3 ±20%	0.002	35.0	28.19	2.60
MIRD05-3R9M	3.9 ±20%	0.003	35.0	28.19	2.60
MIRD05-4R7M	4.7 ±20%	0.003	35.0	28.19	2.60
MIRD05-5R6M	5.6 ±20%	0.003	35.0	28.19	2.60
MIRD05-6R8M	6.8 ±20%	0.003	35.0	28.19	2.60
MIRD05-8R2M	8.2 ±20%	0.003	35.0	28.19	2.60
MIRD05-100K	10 ±10%	0.004	35.0	28.19	2.60
MIRD05-120K	12 ±10%	0.004	35.0	29.46	2.60
MIRD05-150K	15 ±10%	0.005	35.0	29.46	2.60
MIRD05-180K	18 ±10%	0.007	27.0	29.46	2.40
MIRD05-220K	22 ±10%	0.007	27.0	29.46	2.40
MIRD05-270K	27 ±10%	0.008	27.0	29.46	2.40
MIRD05-330K	33 ±10%	0.009	27.0	29.46	2.40
MIRD05-390K	39 ±10%	0.010	27.0	29.46	2.40
MIRD05-470K	47 ±10%	0.011	27.0	29.46	2.40
MIRD05-560K	56 ±10%	0.013	21.0	29.46	2.40
MIRD05-680K	68 ±10%	0.015	21.0	31.75	2.10
MIRD05-820K	82 ±10%	0.017	21.0	32.51	2.10
MIRD05-101K	100 ±10%	0.018	21.0	31.75	2.10
MIRD05-121K	120 ±10%	0.022	17.0	29.46	1.90
MIRD05-151K	150 ±10%	0.025	17.0	29.46	1.90
MIRD05-181K	180 ±10%	0.035	13.5	27.94	1.70
MIRD05-221K	220 ±10%	0.040	13.5	27.94	1.70
MIRD05-271K	270 ±10%	0.044	13.5	27.94	1.70
MIRD05-331K	330 ±10%	0.049	13.5	28.19	1.70
MIRD05-391K	390 ±10%	0.070	11.4	29.21	1.50
MIRD05-471K	470 ±10%	0.078	11.4	27.18	1.50
MIRD05-561K	560 ±10%	0.105	9.0	27.18	1.40
MIRD05-681K	680 ±10%	0.115	9.0	27.18	1.40
MIRD05-821K	820 ±10%	0.127	9.0	28.45	1.40
MIRD05-102K	1000 ±10%	0.176	7.2	28.45	1.20
MIRD05-122K	1200 ±10%	0.195	7.2	28.45	1.20
MIRD05-152K	1500 ±10%	0.274	5.5	28.45	1.10
MIRD05-182K	1800 ±10%	0.302	5.5	28.70	1.10
MIRD05-222K	2200 ±10%	0.338	5.5	29.46	1.10
MIRD05-272K	2700 ±10%	0.459	4.5	25.91	1.00
MIRD05-332K	3300 ±10%	0.642	4.0	25.91	0.90
MIRD05-392K	3900 ±10%	0.699	4.0	28.96	0.90
MIRD05-472K	4700 ±10%	0.775	4.0	28.96	0.90
MIRD05-562K	5600 ±10%	0.843	4.0	28.96	0.90
MIRD05-682K	6800 ±10%	1.15	2.8	26.92	0.80
MIRD05-822K	8200 ±10%	1.26	2.8	29.46	0.80
MIRD05-103K	10000 ±10%	1.74	2.0	28.70	0.70
MIRD05-123K	12000 ±10%	1.92	2.0	28.70	0.70
MIRD05-153K	15000 ±10%	2.17	2.0	28.70	0.70