



## Features

- Very high current capacity
- Epoxy coated ferrite bobbin core
- Fixed lead spacing

## Applications

- Electronic appliance
- Power supplies
- TRIAC/SCR Control Circuits

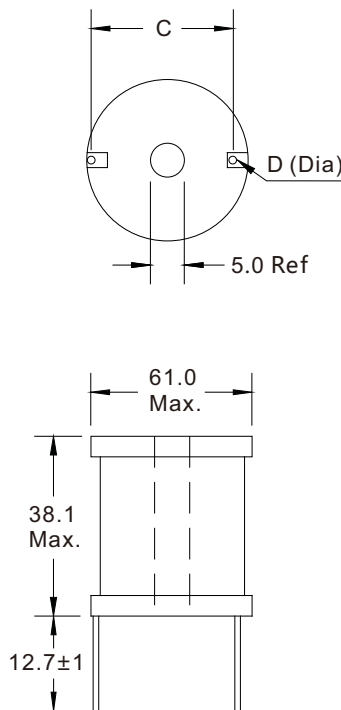
## General Specifications

- Storage temp range: -55°C to +105°C
- Operating temp range: -40°C to +105°C
- Moisture Sensitivity Level(MSL): 1



## Dimensions and Electrical Characteristics

Unit: [mm]



- Inductance tested at 1kHz, 0.25V
- Rated current: cause 50°C temp rise and 10% max inductance drop
- Hi-pot: 2500Vrms terminal to tube  
1000Vrms terminal to core

Part Number	Inductance [uH]	DCR (max) [Ω]	Rated Current [A]	Dim. C Approx.	Dim. D Nom.
MIRD07-5R6M	5.6 ±20%	0.0018	45.0	40.64	3.00
MIRD07-6R8M	6.8 ±20%	0.0021	45.0	40.64	3.00
MIRD07-8R2M	8.2 ±20%	0.0022	45.0	40.64	3.00
MIRD07-100K	10 ±10%	0.0024	45.0	40.64	3.00
MIRD07-120K	12 ±10%	0.0025	45.0	43.18	3.00
MIRD07-150K	15 ±10%	0.0028	42.0	43.18	3.00
MIRD07-180K	18 ±10%	0.0032	40.0	43.18	3.00
MIRD07-220K	22 ±10%	0.0036	38.0	43.18	3.00
MIRD07-270K	27 ±10%	0.0042	38.0	43.18	3.00
MIRD07-330K	33 ±10%	0.0045	37.0	43.18	3.00
MIRD07-390K	39 ±10%	0.0048	36.0	45.72	3.00
MIRD07-470K	47 ±10%	0.0057	35.0	45.72	3.00
MIRD07-560K	56 ±10%	0.0069	35.0	45.72	3.00
MIRD07-680K	68 ±10%	0.0078	35.0	45.72	3.00
MIRD07-820K	82 ±10%	0.0093	35.0	45.72	3.00
MIRD07-101K	100 ±10%	0.0103	27.0	45.72	3.00
MIRD07-121K	120 ±10%	0.0108	27.0	45.72	3.00
MIRD07-151K	150 ±10%	0.0120	25.0	45.72	3.00
MIRD07-181K	180 ±10%	0.0156	22.0	45.72	3.00
MIRD07-221K	220 ±10%	0.0168	22.0	45.72	2.60
MIRD07-271K	270 ±10%	0.0228	21.0	45.72	2.60
MIRD07-331K	330 ±10%	0.0300	17.0	45.72	2.40
MIRD07-391K	390 ±10%	0.0432	13.5	43.18	2.10
MIRD07-471K	470 ±10%	0.0456	13.5	43.18	1.90
MIRD07-561K	560 ±10%	0.0480	13.5	44.45	1.90
MIRD07-681K	680 ±10%	0.0516	12.0	45.72	1.90
MIRD07-821K	820 ±10%	0.0648	11.5	45.72	1.90
MIRD07-102K	1000 ±10%	0.0936	10.0	44.45	1.70
MIRD07-122K	1200 ±10%	0.1020	9.5	45.21	1.70
MIRD07-152K	1500 ±10%	0.1176	8.0	45.72	1.70
MIRD07-182K	1800 ±10%	0.1536	7.5	43.18	1.50
MIRD07-222K	2200 ±10%	0.2160	7.2	43.18	1.40
MIRD07-272K	2700 ±10%	0.2424	6.0	44.45	1.40
MIRD07-332K	3300 ±10%	0.2640	5.5	45.72	1.40
MIRD07-392K	3900 ±10%	0.3480	5.2	44.75	1.20
MIRD07-472K	4700 ±10%	0.3924	5.0	45.21	1.20
MIRD07-562K	5600 ±10%	0.432	4.7	45.72	1.20
MIRD07-682K	6800 ±10%	0.594	4.5	43.18	1.10
MIRD07-822K	8200 ±10%	0.660	4.0	44.45	1.10
MIRD07-103K	10000 ±10%	0.756	4.0	45.72	1.10
MIRD07-123K	12000 ±10%	0.984	3.5	45.72	1.00
MIRD07-153K	15000 ±10%	1.416	2.8	44.45	0.90
MIRD07-183K	18000 ±10%	1.524	2.8	45.21	0.90
MIRD07-223K	22000 ±10%	1.800	2.3	45.72	0.90
MIRD07-273K	27000 ±10%	2.376	2.0	44.45	0.80
MIRD07-333K	33000 ±10%	2.640	1.9	45.72	0.80
MIRD07-393K	39000 ±10%	3.576	1.6	44.45	0.70
MIRD07-473K	47000 ±10%	3.936	1.6	45.21	0.70