



Features

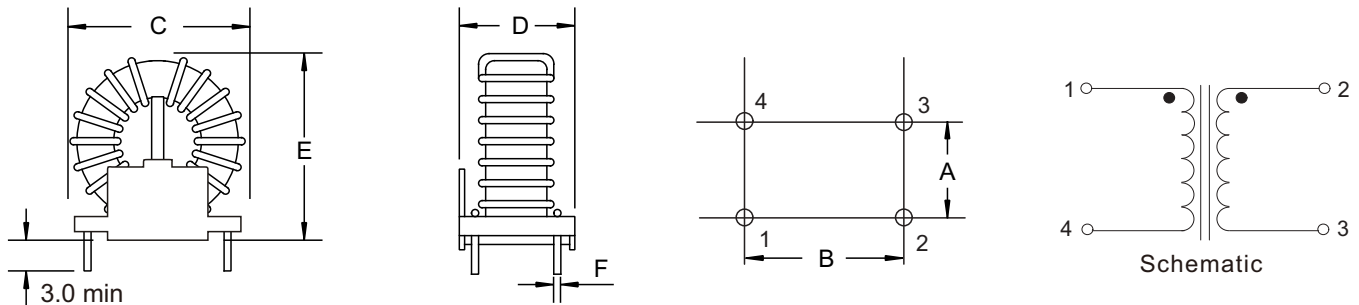
- Low cost
- Dielectric strength: 1500 Vrms
- Fixed pin spacing allow easy PCB insertion
- Operating temperature: -55 to +105°C
- Custom Designs Available

Application

- DC/DC, AC/DC line noise suppression
- Automotive Systems
- Communication System



► Dimensions & Configurations (Unit:mm)



Type	A	B	C	D	E	F
CMT1020	10.2±0.3	20.3±0.3	34.3 max	17.78 max	31.52 max	1.20

► Electrical Characteristics For CMT1020 Series

Part Number	Inductance (min) [mH]	Rated Current [A]	DCR(max) [Ω]	Leakage Inductance [uH] Typical
CMT1020-1R0Y	1	15	0.010	12
CMT1020-2R0Y	2	9	0.020	25
CMT1020-3R0Y	3	6	0.030	35
CMT1020-4R0Y	4	3.5	0.040	45
CMT1020-8R0Y	8	2.5	0.120	90
CMT1020-100Y	10	2.2	0.240	130
CMT1020-160Y	16	1.5	0.320	180

1. Inductance is per winding, tested at 10KHz 0.1V
2. Leakage inductance is measured from pin 1 to pin 4 with pins 2 and 3 shorted
3. Electrical specifications at 25°C