

# 10/100 Base T Quad Port Transformer

- DCR: 0.9Ω Max
- Cw/w: 50PF TYP @ 100KHz, 0.2V
- LL: 0.5uH Max @ 100KHz, 0.2V
- Polarity: 1-40, 4-37, 6-35, 9-32, 11-30, 14-27, 16-25, 19-22, In-Phase
- Operating Temp: -40°C to +85°C

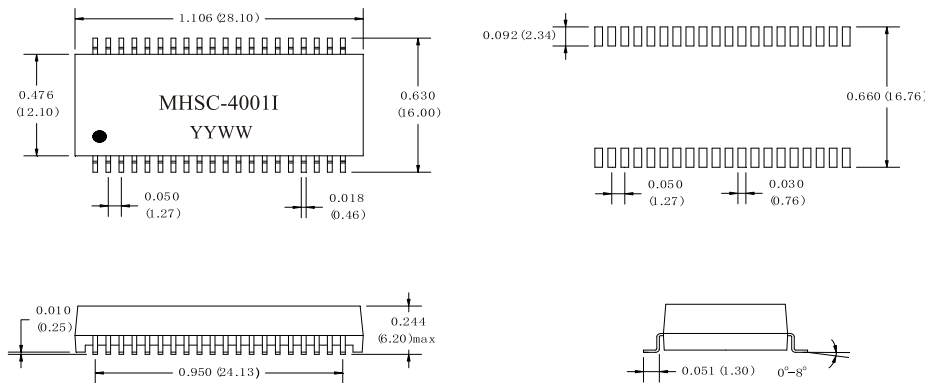
## Electrical Specifications @25°C

Part Number	OCL(μH Min) @ 100kHz, 200mV With 8mA DC Bias	Turns Ratio (±5%)	Insertion Loss (dB Max)	Return Loss (dB Min)			
				0.3-100MHz	0.3-30MHz	40MHz	50MHz
MHSC-4001I	350	1CT:1CT(TX)/1CT:1CT(RX)	-1.1	-18	-14.4	-13.1	-12

## Electrical Specifications @25°C

Part Number	Common Mode Rejection (dB Min)			Cross Talk (dB Min)		Isolation HI-POT (Vrms)
	0.3-30MHz	60MHz	80-100MHz	0.3-30MHz	60-100MHz	
MHSC-4001I	-40	-35	-30	-42	-33	1500

## MECHANICAL



Dimensions: inch (mm)  
Unless otherwise specified, all tolerances are ±0.010(0.25)

## SCHEMATICS

