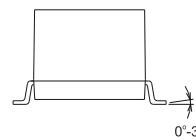
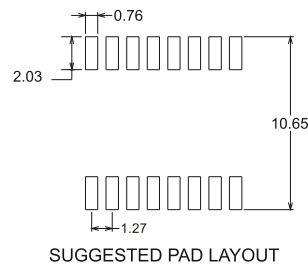
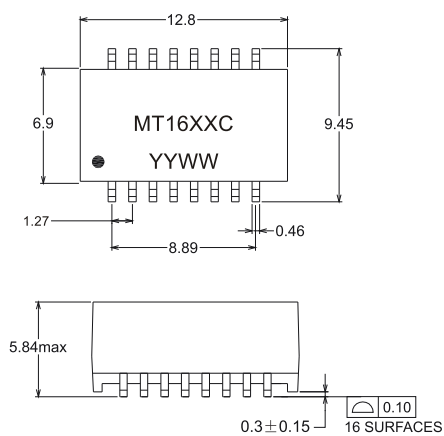


- Meets IEEE 802.3 & ANSI X 3.263 Standards
- RoHS Compliance
- Surface mount, open header construction
- Standard operating temp: 0°C to +70°C
- Industrial operating temp: -40°C to +86°C

## ▶ Electrical Specifications @25°C

Part Number	Turns Ratio (±5%)	OCL (uH Min)	Lk (uH Max)	CWW (pF Max)	DCR(25°C) (Ω Max)	HI-POT	Primary Pins
	Pri:Sec	100KHz,0.2V	100KHz 0.2V	100KHz 0.2V	Pri		
MT1602C	1CT:1CT & 1CT:2.5CT	350	0.5	15	0.8	2000VAC	1-3,6-8
MT1604C	1CT:2CT & 1CT:1CT	200	0.3	12	1.0	1500VAC	1-3,6-8
MT1605C	1CT:1CT & 1CT:2.5CT	200	0.4	15	0.4	2000VAC	1-3,6-8
MT1609C	1:1	350±25%	0.3	16	0.35	1500VAC	1-2,4-5,7-8
MT1616C	1CT:1CT & 1:1.41CT	50&70	0.5	12	0.6	1500VAC	1-3,6-8
MT1617C	0.3:1	2±20%	0.08	6	0.1	1500VAC	1-3,6-8

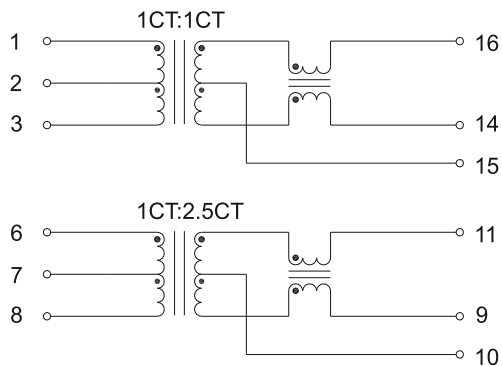
## ▶ MECHANICAL



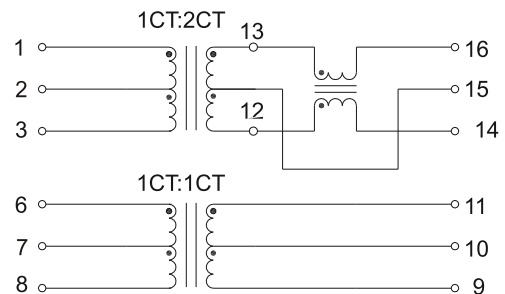
Unless otherwise specified all tolerances are: ±0.25 in mm

## ▶ SCHEMATICS

### MT1602C

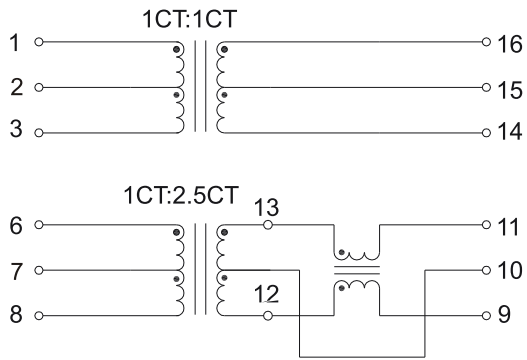


### MT1604C

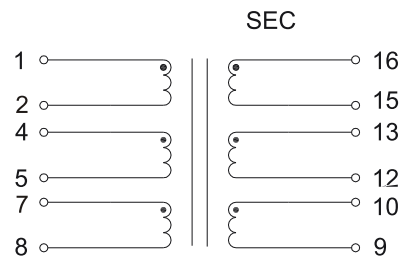


▶ SCHEMATICS

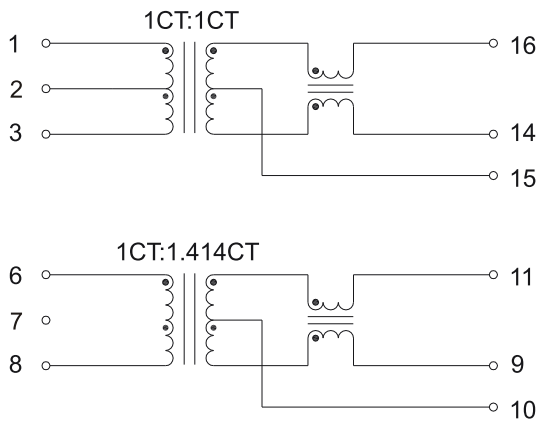
MT1605C



MT1609C



MT1616C



MT1617C

