

Features

- Magnetic shielding structure, excellent resistance to electro magnetic interference
- Assemblage design, sturdy structure.
- High Current, Low resistance

Applications

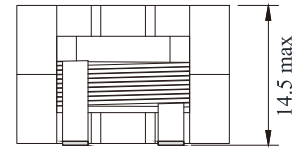
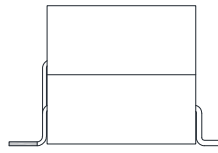
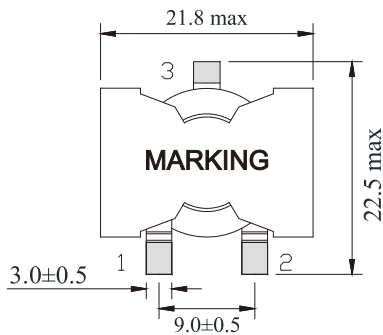
- Storage inductor for high efficiency DC/DC converters with high ripple currents
- Resonant SMPS
- Filter for audio applications

General Specifications

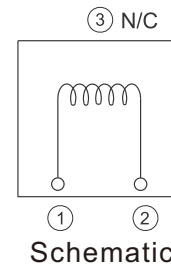
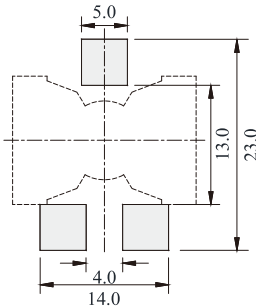
- Storage temp range: -40°C to +125°C
- Operating temp range: -40°C to +125°C



Shape and Dimensions (Unit:mm)



Recommended Layout



Electrical Characteristics For SPQ2014 Series @ 25°C

Part Number	Inductance (μH) @100KHz, 0.1V	DCR (mΩ) Typ.	DCR (mΩ) Max.	Isat (A) Typ. L 30% drop	Irms (A) Typ. 40°C rise
SPQ2014-R70M	0.7 ±20%	0.66	0.79	75.0	32.0
SPQ2014-1R4M	1.4 ±20%	0.86	1.02	60.0	31.5
SPQ2014-2R2M	2.2 ±20%	1.32	1.58	52.0	30.5
SPQ2014-3R1M	3.1 ±20%	1.92	2.30	45.0	26.0
SPQ2014-4R2M	4.2 ±20%	2.54	3.04	38.0	24.0
SPQ2014-5R5M	5.5 ±20%	3.30	3.96	33.0	22.0
SPQ2014-7R0M	7.0 ±20%	4.25	5.10	30.0	21.0
SPQ2014-8R6M	8.6 ±20%	5.90	7.08	25.0	17.0
SPQ2014-100M	10 ±20%	6.50	7.80	23.0	16.0
SPQ2014-150M	15 ±20%	7.10	8.50	21.0	14.0
SPQ2014-220M	22 ±20%	8.60	10.3	15.0	12.5
SPQ2014-330M	33 ±20%	9.28	11.1	11.0	12.0
SPQ2014-470M	47 ±20%	10.0	12.0	8.50	11.5