



Features

- Magnetic shielding structure, excellent resistance to electro magnetic interference
- Assemblage design, sturdy structure.
- High Current, Low resistance

Applications

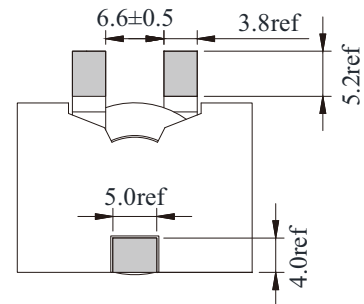
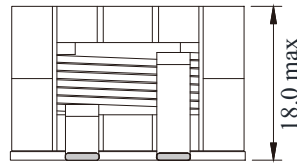
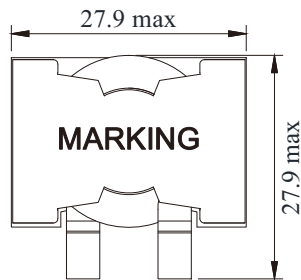
- Storage inductor for high efficiency DC/DC converters with high ripple currents
- Resonant SMPS
- Filter for audio applications

General Specifications

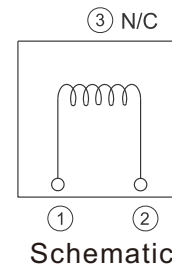
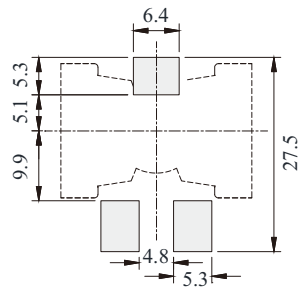
- Storage temp range: -40°C to +125°C
- Operating temp range: -40°C to +125°C



Shape and Dimensions (Unit:mm)



Recommended Layout



Electrical Characteristics For SPQ2918 Series @ 25°C

Part Number	Inductance (μH) @100KHz, 0.1V	DCR (mΩ) Typ.	DCR (mΩ) Max.	Isat (A) Typ. L 20% drop	Irms (A) Typ. 40°C rise
SPQ2918-3R3M	3.3 ±20%	2.3	2.86	92.5	28
SPQ2918-4R7M	4.7 ±20%	2.3	2.86	61.2	28
SPQ2918-6R8M	6.8 ±20%	2.3	2.86	45.0	28
SPQ2918-100K	10 ±10%	2.3	2.86	31.2	28
SPQ2918-150K	15 ±10%	2.3	2.86	21.2	28
SPQ2918-220K	22 ±10%	2.3	2.86	14.0	28
SPQ2918-330K	33 ±10%	2.3	2.86	8.7	28

Saturation Current vs Temperature Rise Current Curve

