



### Features

- Very compact design
- Flammability corresponding to UL94V-0
- Custom designs are available

### Applications

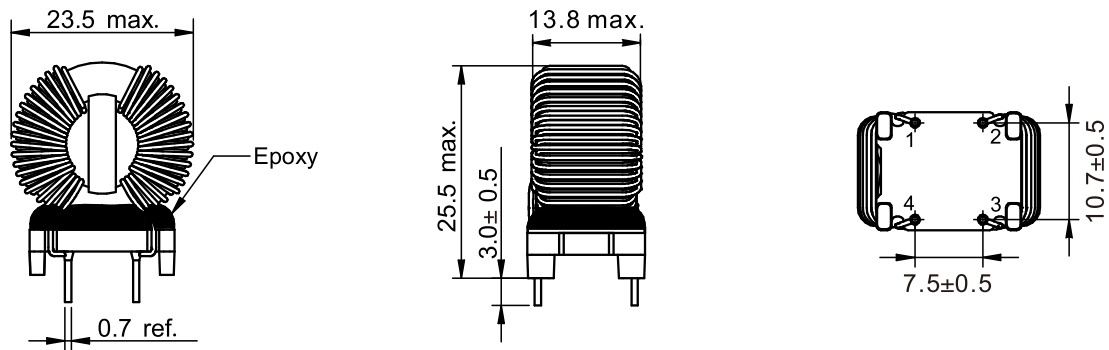
- Power electronics
- Power line in and output filter
- Suppression of common mode noise

### General Specifications

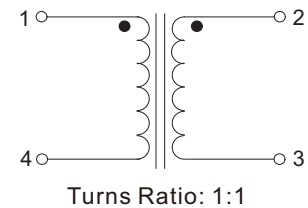
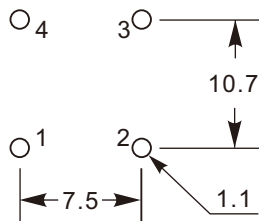
- Storage temp range: -40°C to +125°C
- Operating temp range: -40°C to +125°C
- Moisture Sensitivity Level(MSL): 1



## ► Dimensions & Configurations (Unit:mm)



## ► Recommended Hole Pattern:[mm]      ► Schematic



## ► Electrical Specifications @ 25°C

Part Number	Inductance [mH]	Rated Current [A]	DCR(max) [mΩ]
CTR2010-102N	1.0±30%	6.0	13
CTR2010-222N	2.2±30%	4.0	30
CTR2010-332N	3.3±30%	2.5	60
CTR2010-502N	5.0±30%	2.5	95
CTR2010-103N	10.0±30%	2.0	125
CTR2010-203N	20.0±30%	1.5	270

- Inductance is per winding tested at 10kHz,0.1V
- Hi-pot:AC1500V/1mA/2S (N1-N2)
- Rated Voltage: 250VAC max