

Features

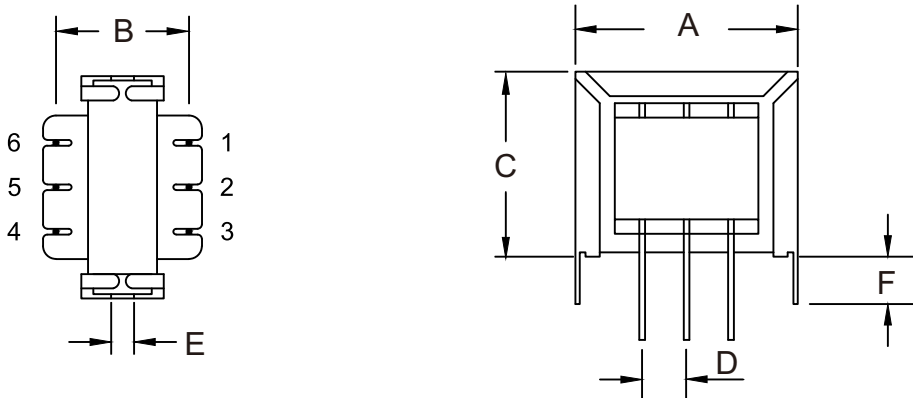
- Metric size, Low cost
- Designed for dry (no DC) circuits.
- Dielectric Strength: 1000Vrms P-S-C

General Specifications

- Storage temp range: -40°C to +125°C
- Operating temp range: -40°C to +125°C



▶ Shape and Dimensions (Unit:mm)



Type	A	B	C	D	E	F	TCW Leads	Power(max)
MAEI14	15.2	12.0	11.0	2.5	2.0	3.8	0.40	0.075W
MAEI16	17.7	16.0	14.0	2.8	2.2	4.0	0.43	0.1W
MAEI19	20.3	14.5	16.2	3.0	2.2	4.2	0.50	0.2W
MAEI24	25.4	16.9	19.0	4.5	2.6	4.8	0.50	0.46W

▶ Schematic

