



## Features

- Very high current capacity
- Epoxy coated ferrite bobbin core
- Fixed lead spacing

## Applications

- Electronic appliance
- Power supplies
- TRIAC/SCR Control Circuits

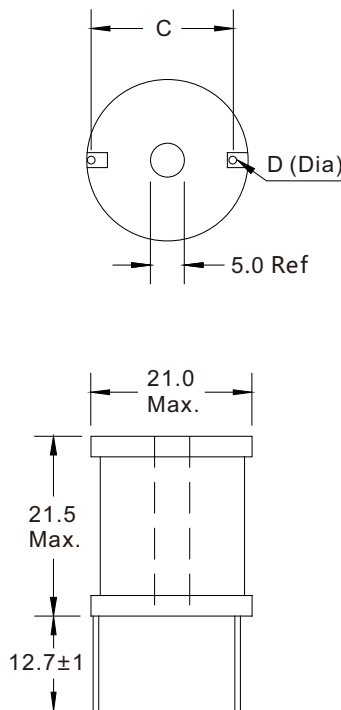
## General Specifications

- Storage temp range: -55°C to +105°C
- Operating temp range: -40°C to +105°C
- Moisture Sensitivity Level(MSL): 1



## Dimensions and Electrical Characteristics

Unit: [mm]



- Inductance tested at 1kHz, 0.25V
- Rated current: cause 50°C temp rise and 10% max inductance drop
- Hi-pot: 2500Vrms terminal to tube  
1000Vrms terminal to core

Part Number	Inductance [uH]	DCR (max) [Ω]	Rated Current [A]	Dim. C Approx.	Dim. D Nom.
MIRD02-1R0M	1.0 ±20%	0.003	11.4	16.00	1.80
MIRD02-1R2M	1.2 ±20%	0.003	11.4	16.00	1.80
MIRD02-1R5M	1.5 ±20%	0.003	11.4	16.00	1.80
MIRD02-1R8M	1.8 ±20%	0.003	11.4	16.00	1.80
MIRD02-2R2M	2.2 ±20%	0.004	11.4	16.00	1.80
MIRD02-2R7M	2.7 ±20%	0.005	11.4	16.00	1.60
MIRD02-3R3M	3.3 ±20%	0.005	11.4	16.00	1.60
MIRD02-3R9M	3.9 ±20%	0.005	11.4	16.00	1.60
MIRD02-4R7M	4.7 ±20%	0.005	11.4	16.00	1.60
MIRD02-5R6M	5.6 ±20%	0.006	11.4	16.00	1.60
MIRD02-6R8M	6.8 ±20%	0.007	11.4	16.00	1.60
MIRD02-8R2M	8.2 ±20%	0.007	11.4	16.00	1.60
MIRD02-100K	10 ±10%	0.009	11.4	16.00	1.60
MIRD02-120K	12 ±10%	0.009	11.4	16.00	1.40
MIRD02-150K	15 ±10%	0.013	9.0	16.00	1.40
MIRD02-180K	18 ±10%	0.018	7.2	16.00	1.30
MIRD02-220K	22 ±10%	0.019	7.2	16.00	1.30
MIRD02-270K	27 ±10%	0.026	5.5	16.00	1.30
MIRD02-330K	33 ±10%	0.029	5.5	15.24	1.10
MIRD02-390K	39 ±10%	0.030	5.5	15.24	1.10
MIRD02-470K	47 ±10%	0.035	5.5	15.75	1.10
MIRD02-560K	56 ±10%	0.039	5.5	15.75	1.00
MIRD02-680K	68 ±10%	0.053	4.8	15.75	1.00
MIRD02-820K	82 ±10%	0.060	4.8	15.75	1.00
MIRD02-101K	100 ±10%	0.080	4.0	15.75	0.90
MIRD02-121K	120 ±10%	0.090	4.0	15.75	0.90
MIRD02-151K	150 ±10%	0.098	4.0	15.75	0.81
MIRD02-181K	180 ±10%	0.110	4.0	15.75	0.80
MIRD02-221K	220 ±10%	0.150	2.8	15.75	0.80
MIRD02-271K	270 ±10%	0.213	2.0	15.24	0.75
MIRD02-331K	330 ±10%	0.305	1.6	15.24	0.75
MIRD02-391K	390 ±10%	0.320	1.6	15.24	0.65
MIRD02-471K	470 ±10%	0.355	1.6	15.24	0.65
MIRD02-561K	560 ±10%	0.388	1.6	15.24	0.65
MIRD02-681K	680 ±10%	0.430	1.6	15.24	0.65
MIRD02-821K	820 ±10%	0.590	1.3	15.24	0.60
MIRD02-102K	1000 ±10%	0.818	1.0	15.24	0.50
MIRD02-122K	1200 ±10%	1.14	0.8	15.24	0.50
MIRD02-152K	1500 ±10%	1.26	0.8	15.24	0.50
MIRD02-182K	1800 ±10%	1.39	0.8	15.24	0.45
MIRD02-222K	2200 ±10%	1.54	0.8	15.24	0.45