



Features

- Very high current capacity
- Epoxy coated ferrite bobbin core
- Fixed lead spacing

Applications

- Electronic appliance
- Power supplies
- TRIAC/SCR Control Circuits

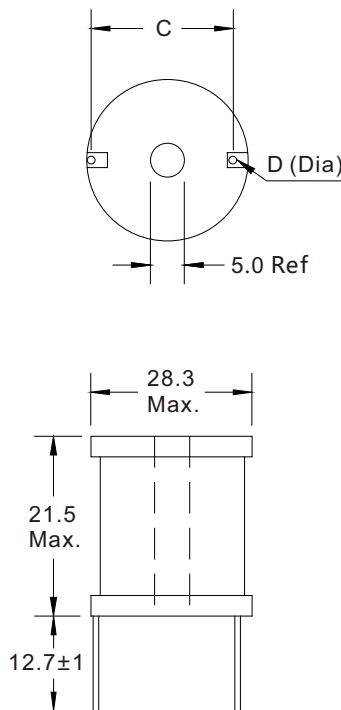
General Specifications

- Storage temp range: -55°C to +105°C
- Operating temp range: -40°C to +105°C
- Moisture Sensitivity Level(MSL): 1



► Dimensions and Electrical Characteristics

Unit: [mm]



- Inductance tested at 1kHz, 0.25V
- Rated current: cause 50°C temp rise and 10% max inductance drop
- Hi-pot: 2500Vrms terminal to tube
1000Vrms terminal to core

Part Number	Inductance [uH]	DCR (max) [Ω]	Rated Current [A]	Dim. C Approx.	Dim. D Nom.
MIRD03-1R0M	1.0 ±20%	0.003	21	20.32	2.00
MIRD03-1R2M	1.2 ±20%	0.003	21	20.32	2.00
MIRD03-1R5M	1.5 ±20%	0.003	21	20.32	2.00
MIRD03-1R8M	1.8 ±20%	0.003	21	20.32	2.00
MIRD03-2R2M	2.2 ±20%	0.003	21	20.32	2.00
MIRD03-2R7M	2.7 ±20%	0.003	21	20.32	2.00
MIRD03-3R3M	3.3 ±20%	0.003	21	20.32	2.00
MIRD03-3R9M	3.9 ±20%	0.003	21	20.32	2.00
MIRD03-4R7M	4.7 ±20%	0.003	21	20.32	2.00
MIRD03-5R6M	5.6 ±20%	0.003	21	20.83	2.00
MIRD03-6R8M	6.8 ±20%	0.004	21	20.83	2.00
MIRD03-8R2M	8.2 ±20%	0.004	21	20.83	2.00
MIRD03-100K	10 ±10%	0.006	17	20.83	2.00
MIRD03-120K	12 ±10%	0.008	13.5	20.32	1.80
MIRD03-150K	15 ±10%	0.009	13.5	20.32	1.80
MIRD03-180K	18 ±10%	0.010	13.5	20.32	1.80
MIRD03-220K	22 ±10%	0.011	13.5	20.07	1.60
MIRD03-270K	27 ±10%	0.012	13.5	20.07	1.60
MIRD03-330K	33 ±10%	0.017	13.5	20.07	1.60
MIRD03-390K	39 ±10%	0.022	11.4	20.07	1.40
MIRD03-470K	47 ±10%	0.024	9.0	20.07	1.40
MIRD03-560K	56 ±10%	0.026	9.0	20.07	1.40
MIRD03-680K	68 ±10%	0.029	9.0	20.07	1.40
MIRD03-820K	82 ±10%	0.032	9.0	20.07	1.40
MIRD03-101K	100 ±10%	0.034	9.0	20.07	1.40
MIRD03-121K	120 ±10%	0.046	7.2	20.07	1.40
MIRD03-151K	150 ±10%	0.064	5.5	19.56	1.10
MIRD03-181K	180 ±10%	0.072	5.5	19.56	1.10
MIRD03-221K	220 ±10%	0.080	5.5	19.56	1.00
MIRD03-271K	270 ±10%	0.110	4.5	19.56	1.00
MIRD03-331K	330 ±10%	0.122	4.5	19.56	1.00
MIRD03-391K	390 ±10%	0.169	4.0	19.56	0.90
MIRD03-471K	470 ±10%	0.187	4.0	19.56	0.90
MIRD03-561K	560 ±10%	0.205	4.0	19.56	0.80
MIRD03-681K	680 ±10%	0.256	2.8	19.56	0.80
MIRD03-821K	820 ±10%	0.288	2.8	19.56	0.80
MIRD03-102K	1000 ±10%	0.426	2.0	19.05	0.75
MIRD03-122K	1200 ±10%	0.426	2.0	19.05	0.75
MIRD03-152K	1500 ±10%	0.518	2.0	19.05	0.65
MIRD03-182K	1800 ±10%	0.705	1.6	19.05	0.65
MIRD03-222K	2200 ±10%	1.02	1.3	19.05	0.65
MIRD03-272K	2700 ±10%	1.14	1.3	19.05	0.57
MIRD03-332K	3300 ±10%	1.27	1.3	19.05	0.50
MIRD03-392K	3900 ±10%	1.67	1.0	19.05	0.50
MIRD03-472K	4700 ±10%	1.86	1.0	19.05	0.50