



Features

- Toroid core
- SMD Construction
- High Reliability

Applications

- Common mode choke for power application
- Filter and Noise Suppression
- DC/DC, AC/DC converter

General Specifications

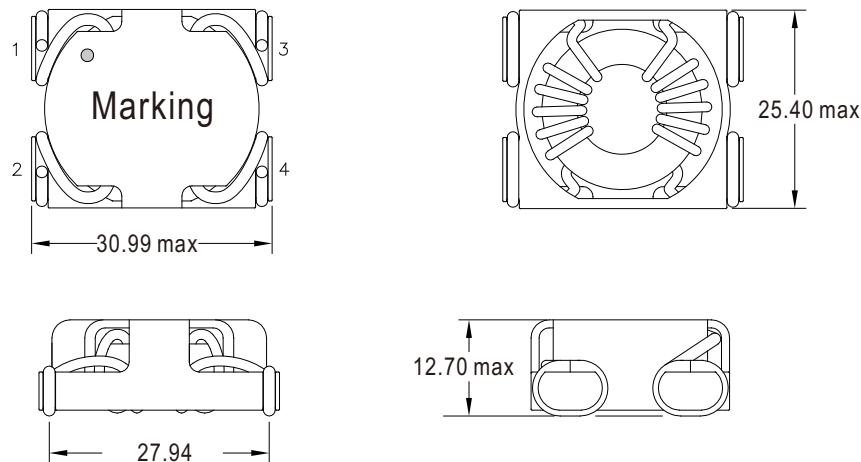
- Storage temp range: -40°C to +125°C
- Operating temp range: -40°C to +125°C

Package Quantity

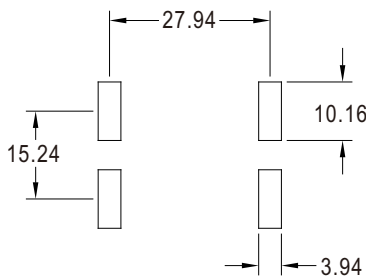
- 150 pcs/reel



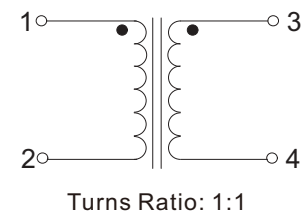
► Dimensions & Configurations (Unit:mm)



► Recommended Layout



► Schematic



► Electrical Characteristics @ 25°C

Part Number	Inductance [uH]	DCR(max) [mΩ]	Rated Current [A]
MSTM80-811N	810 ±35%	14	9.7
MSTM80-631N	630 ±35%	10	11.6
MSTM80-471N	470 ±35%	8	14.0

- Inductance is per winding tested at 1kHz, 0.25V
- Hi-pot: AC1000V/1mA/3S (N1-N2)
- Rated Current: The current at which the temperature rise is 55°C