

Features

- Low cost, high performance
- Ideal for signal line applications
- Flammability corresponding to UL94V-0

Applications

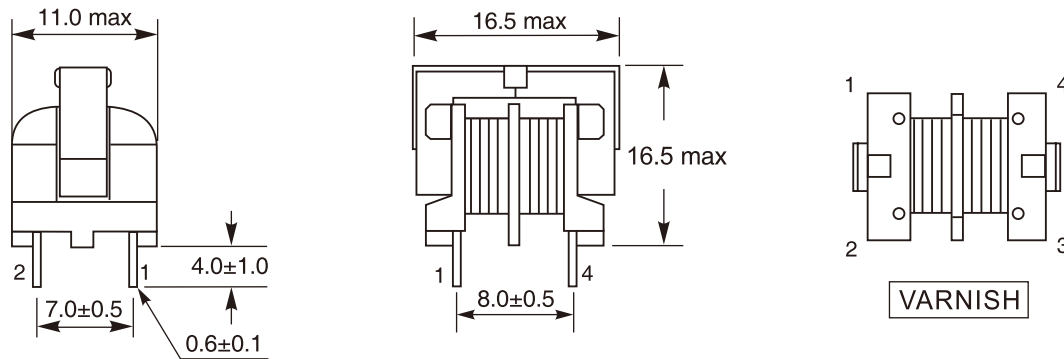
- Mains filter, Lighting
- Compact switched-mode power supplies
- Electronic ballast applications (LED bulb)

General Specifications

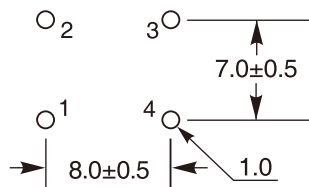
- Storage temp range: -40°C to +125°C
- Operating temp range: -40°C to +125°C



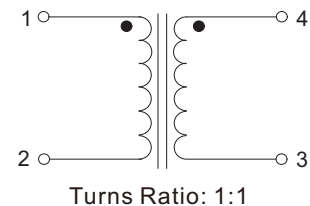
► Shape and Dimensions (Unit:mm)



► Suggested PCB Layout



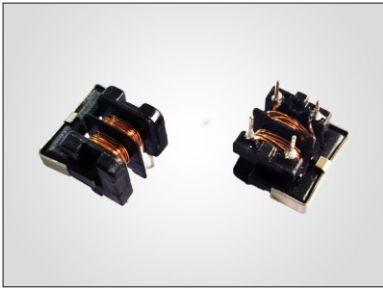
► Schematic



► Electrical Specifications @ 25°C

Part Number	Inductance [mH] 1-2/4-3 (min)	DCR [Ω] (max)	Rated Current [A]	Rated Voltage [Vac]	Insulation Resistance [M Ω] (min)
UU9.8-471	0.47	0.15	1.00	300	100
UU9.8-681	0.68	0.25	0.85	300	100
UU9.8-102	1.0	0.35	0.70	300	100
UU9.8-222	2.2	0.7	0.50	300	100
UU9.8-392	3.9	1.2	0.38	300	100
UU9.8-472	4.7	1.6	0.34	300	100
UU9.8-682	6.8	2.5	0.25	300	100
UU9.8-103	10.0	4.0	0.20	300	100

- Inductance tested at 1kHz
- Hi-pot: AC1500V/5mA/2S (N1-N2)
- Rated Current: The DC current at which the temperature rise is 40°C



Features

- Low cost, high performance
- Horizontal configuration, H:12.5mm
- Flammability corresponding to UL94V-0

Applications

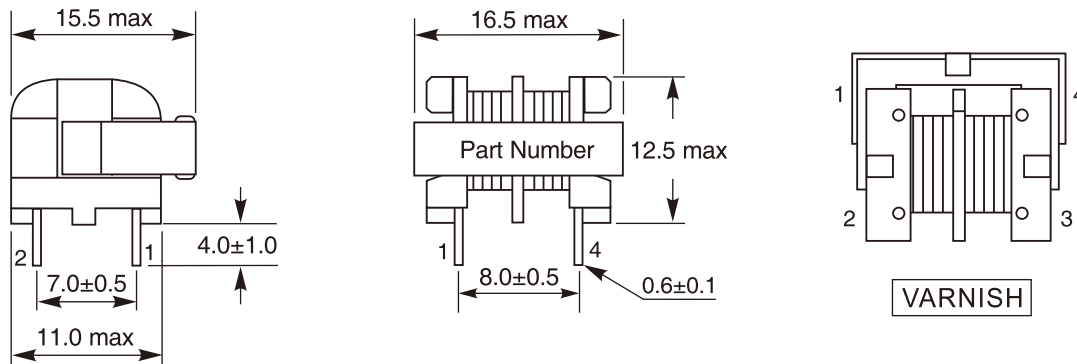
- Mains filter, Lighting
- Compact switched-mode power supplies
- Electronic ballast applications (LED bulb)

General Specifications

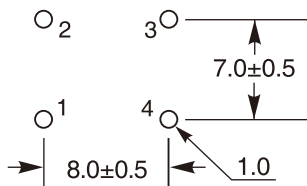
- Storage temp range: -40°C to +125°C
- Operating temp range: -40°C to +125°C



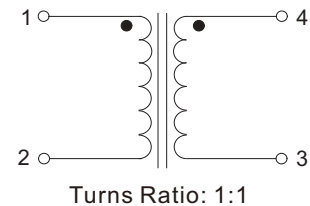
▶ Shape and Dimensions (Unit:mm)



▶ Suggested PCB Layout



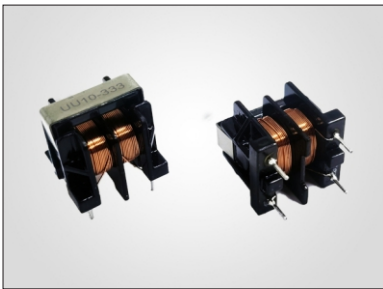
▶ Schematic



▶ Electrical Specifications @ 25°C

Part Number	Inductance [mH] 1-2/4-3 (min)	DCR [Ω] (max)	Rated Current [A]	Rated Voltage [Vac]	Insulation Resistance [M Ω] (min)
UU9.8H-471	0.47	0.15	1.00	300	100
UU9.8H-681	0.68	0.25	0.85	300	100
UU9.8H-102	1.0	0.35	0.70	300	100
UU9.8H-222	2.2	0.7	0.50	300	100
UU9.8H-392	3.9	1.2	0.38	300	100
UU9.8H-472	4.7	1.6	0.34	300	100
UU9.8H-682	6.8	2.5	0.25	300	100
UU9.8H-103	10.0	4.0	0.20	300	100

- Inductance tested at 1kHz
- Hi-pot: AC1500V/5mA/2S (N1-N2)
- Rated Current: The DC current at which the temperature rise is 40°C



Features

- Low cost, high performance
- Custom designs are available
- Flammability corresponding to UL94V-0

Applications

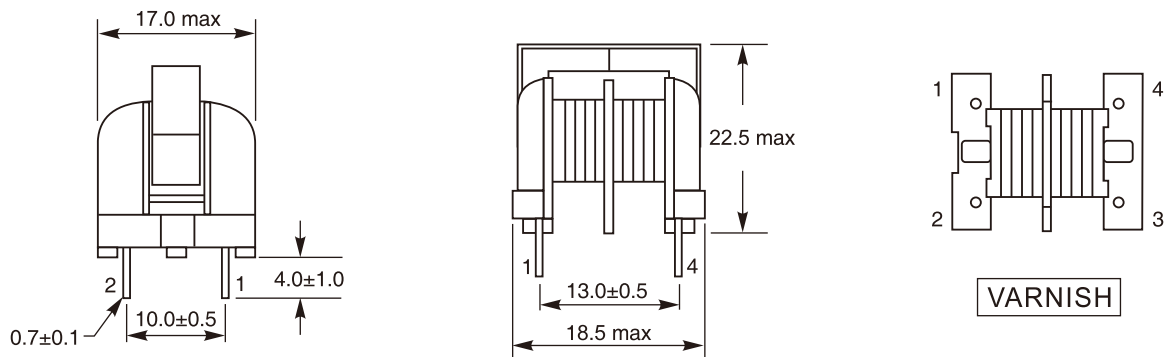
- Mains filter, Lighting
- Compact switched-mode power supplies
- Electronic ballast applications (LED bulb)

General Specifications

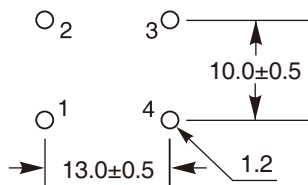
- Storage temp range: -40°C to +125°C
- Operating temp range: -40°C to +125°C



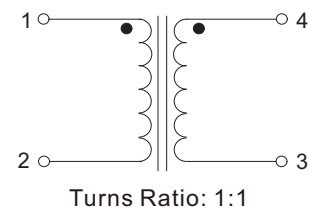
Shape and Dimensions (Unit:mm)



Suggested PCB Layout



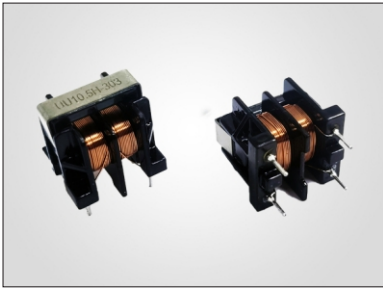
Schematic



Electrical Specifications @ 25°C

Part Number	Inductance [mH] 1-2/4-3 (min)	DCR [Ω] (max)	Rated Current [A]	Rated Voltage [Vac]	Insulation Resistance [M Ω] (min)
UU10-601	0.6	0.20	2.00	300	100
UU10-102	1.0	0.20	1.50	300	100
UU10-332	3.3	0.71	0.65	300	100
UU10-682	6.8	1.26	0.43	300	100
UU10-123	12	2.20	0.34	300	100
UU10-223	22	3.64	0.25	300	100
UU10-333	33	5.74	0.20	300	100
UU10-513	51	9.12	0.15	300	100

- Inductance tested at 1kHz
- Hi-pot: AC1500V/5mA/2S (N1-N2)
- Rated Current: The DC current at which the temperature rise is 40°C



Features

- Low cost, high performance
- reduce height to under 19.0mm
- Flammability corresponding to UL94V-0

Applications

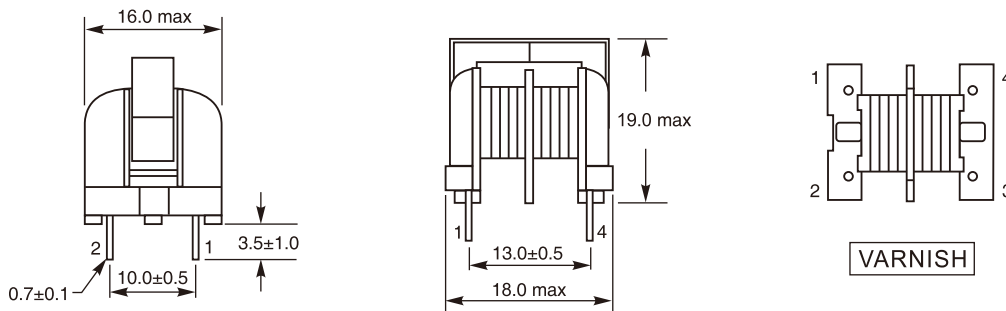
- Mains filter, Lighting
- Compact switched-mode power supplies
- Electronic ballast applications (LED bulb)

General Specifications

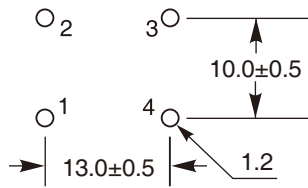
- Storage temp range: -40°C to +125°C
- Operating temp range: -40°C to +125°C



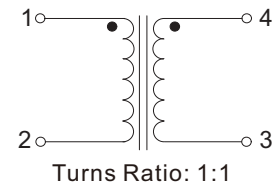
► Shape and Dimensions (Unit:mm)



► Suggested PCB Layout



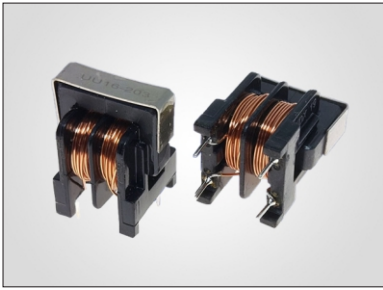
► Schematic



► Electrical Specifications @ 25°C

Part Number	Inductance [mH] 1-2/4-3 (min)	DCR [Ω] (max)	Rated Current [A]	Rated Voltage [Vac]	Insulation Resistance [M Ω] (min)
UU10.5H-152	1.5	0.15	2.0	300	100
UU10.5H-182	1.8	0.18	1.7	300	100
UU10.5H-222	2.2	0.22	1.5	300	100
UU10.5H-302	3.0	0.26	1.3	300	100
UU10.5H-352	3.5	0.32	1.2	300	100
UU10.5H-552	5.5	0.46	1.0	300	100
UU10.5H-742	7.4	0.64	0.8	300	100
UU10.5H-103	10	0.86	0.7	300	100
UU10.5H-123	12	1.20	0.6	300	100
UU10.5H-203	20	1.80	0.5	300	100
UU10.5H-303	30	2.70	0.4	300	100
UU10.5H-363	36	3.50	0.3	300	100
UU10.5H-433	43	4.00	0.3	300	100

- Inductance tested at 1kHz
- Hi-pot: AC1500V/5mA/2S (N1-N2)
- Rated Current: The DC current at which the temperature rise is 40°C



Features

- Low cost, high performance
- Custom designs are available
- Flammability corresponding to UL94V-0

Applications

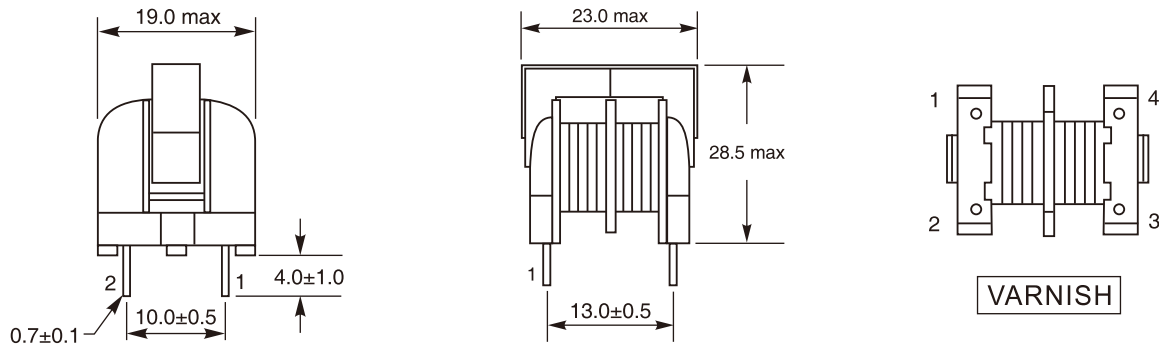
- Mains filter, Lighting
- Compact switched-mode power supplies
- Electronic ballast applications (LED bulb)

General Specifications

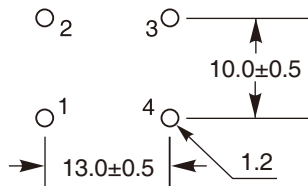
- Storage temp range: -40°C to +125°C
- Operating temp range: -40°C to +125°C



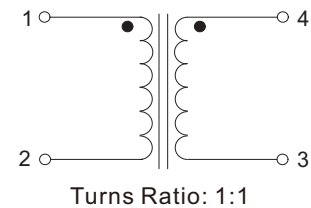
▶ Shape and Dimensions (Unit:mm)



▶ Suggested PCB Layout



▶ Schematic



▶ Electrical Specifications @ 25°C

Part Number	Inductance [mH] 1-2/4-3 (min)	DCR [Ω] (max)	Rated Current [A]	Rated Voltage [Vac]	Insulation Resistance [M Ω] (min)
UU16-152	1.5	0.20	1.50	300	100
UU16-302	3.0	0.30	1.20	300	100
UU16-402	4.0	0.40	1.10	300	100
UU16-602	6	0.50	1.00	300	100
UU16-802	8	0.80	0.80	300	100
UU16-103	10	1.20	0.60	300	100
UU16-203	20	1.60	0.50	300	100
UU16-303	30	2.80	0.40	300	100

- Inductance tested at 1kHz
- Hi-pot: AC1500V/5mA/2S (N1-N2)
- Rated Current: The DC current at which the temperature rise is 40°C