



### Features

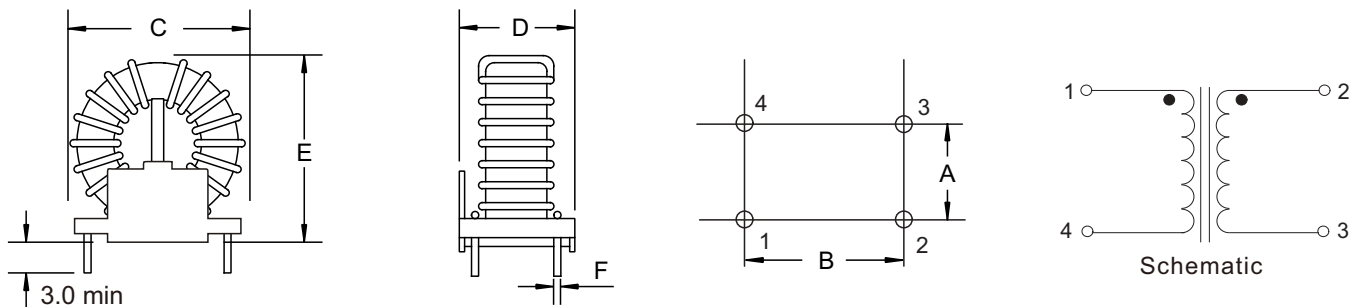
- Low cost
- Dielectric strength: 1500 Vrms
- Fixed pin spacing allow easy PCB insertion
- Operating temperature: -55 to +105°C
- Custom Designs Available

### Application

- DC/DC, AC/DC line noise suppression
- Automotive Systems
- Communication System



## ► Dimensions & Configurations (Unit:mm)



| Type    | A        | B        | C        | D        | E        | F    |
|---------|----------|----------|----------|----------|----------|------|
| CMT1522 | 15.2±0.3 | 22.9±0.3 | 36.8 max | 22.9 max | 33.5 max | 1.20 |

## ► Electrical Characteristics For CMT1522 Series

| Part Number  | Inductance (min) [mH] | Rated Current [A] | DCR(max) [Ω] | Leakage Inductance [uH] Typical |
|--------------|-----------------------|-------------------|--------------|---------------------------------|
| CMT1522-1R2Y | 1.2                   | 15                | 0.010        | 12                              |
| CMT1522-2R0Y | 2                     | 8.7               | 0.020        | 25                              |
| CMT1522-3R0Y | 3                     | 6.5               | 0.054        | 35                              |
| CMT1522-4R0Y | 4                     | 5.4               | 0.105        | 45                              |
| CMT1522-8R0Y | 8                     | 3.5               | 0.143        | 85                              |
| CMT1522-100Y | 10                    | 3.0               | 0.350        | 130                             |
| CMT1522-160Y | 16                    | 2.2               | 0.400        | 180                             |

1. Inductance is per winding, tested at 10KHz 0.1V
2. Leakage inductance is measured from pin 1 to pin 4 with pins 2 and 3 shorted
3. Electrical specifications at 25°C