



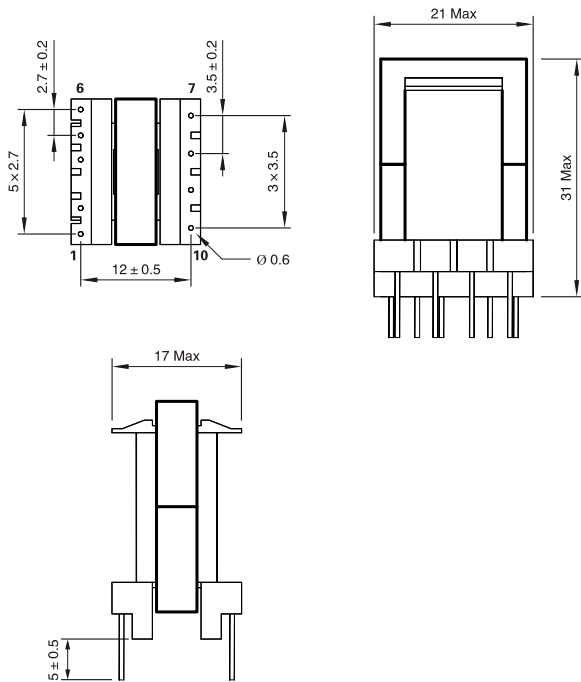
Features

- Primary / Secondary Insulation $\geq 4000V$
- Primary / Auxiliary Insulation $\geq 1500V$
- Creepage distances Primary / secondary $\geq 6mm$

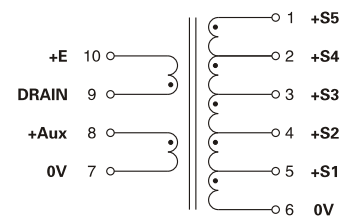
Applications

- AC-DC converters
- DC-DC converters
- Switch Power supplies
- SMPS: Flyback
- SMPS: Half Bridge and Full Bridge

Physical Characteristics (Unit:mm)



Schematic



PCB Hole Diameter=1.1mm

Electrical Characteristics

Part Number	Output Power max	Windings					Inductance ($\pm 10\%$)	Ambient Temperature	
			Pins	Turns	Voltage	Current (max)			
EL1903	74023	16W	Pri	9-10	120	110 (VOR)	0.85 A _{peak}	1250 μ H	<50°C
			Aux	8-7	17	15 Vdc	0.2 Adc		
			S1	5-6	4	3.3 Vdc	2 Adc		
			S2	4-6	6	5 Vdc	Sum S1+S2		
			S3	3-6	14	12 Vdc	0.8 Adc		
			S4	2-6	20	18 Vdc	0.8 Adc		
			S5	1-6	33	30 Vdc	0.2 Adc		